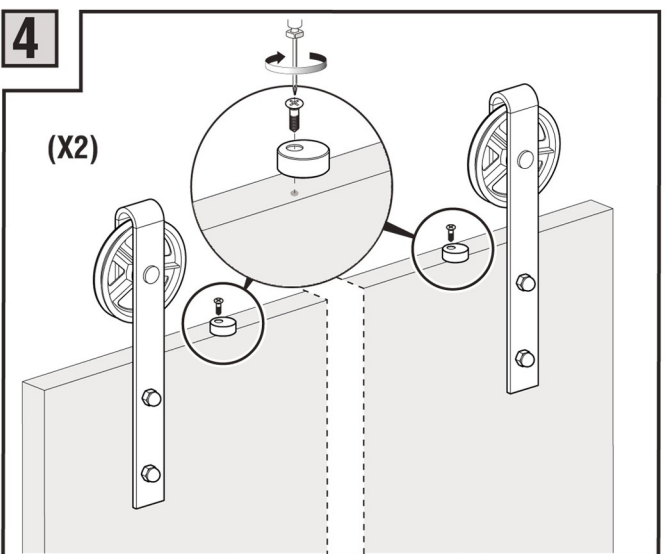
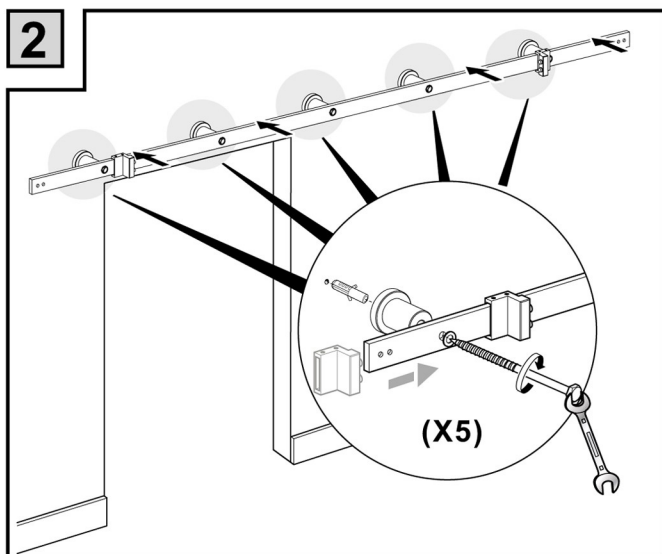
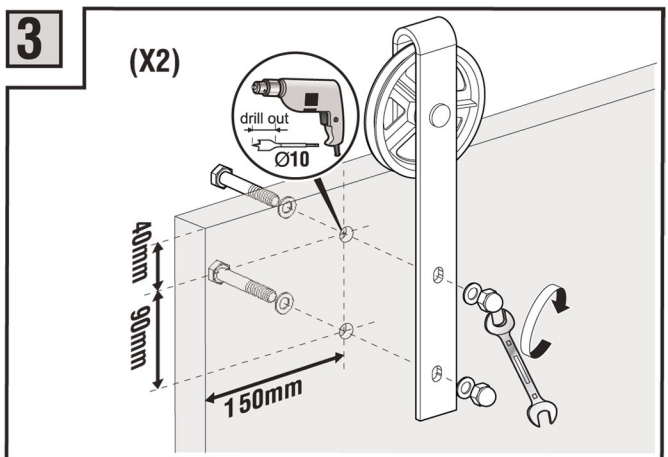
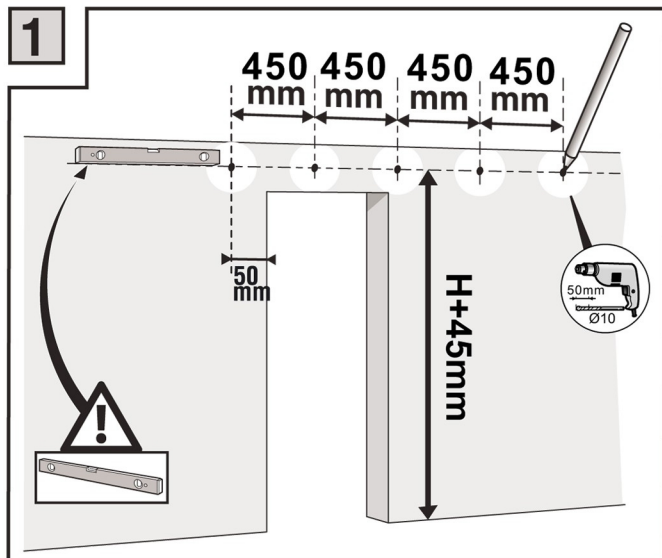
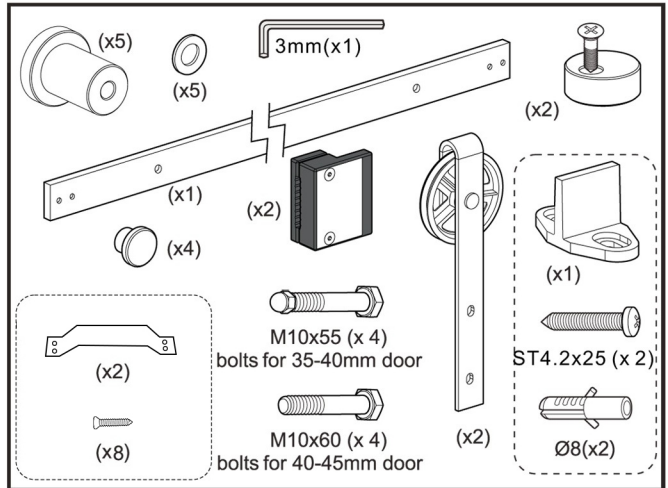
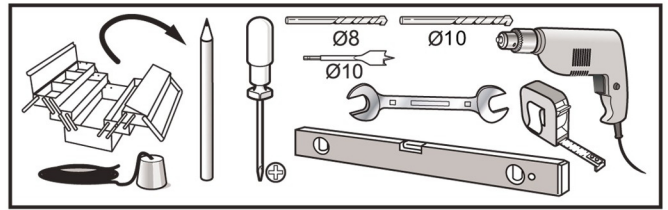
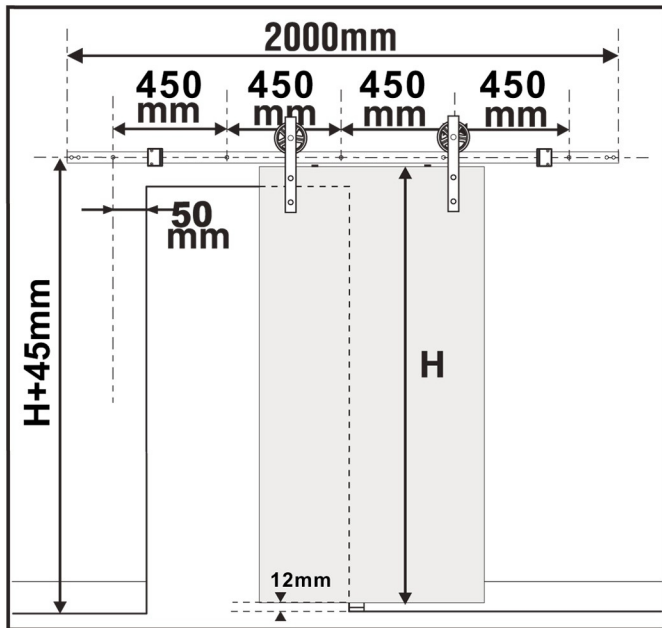
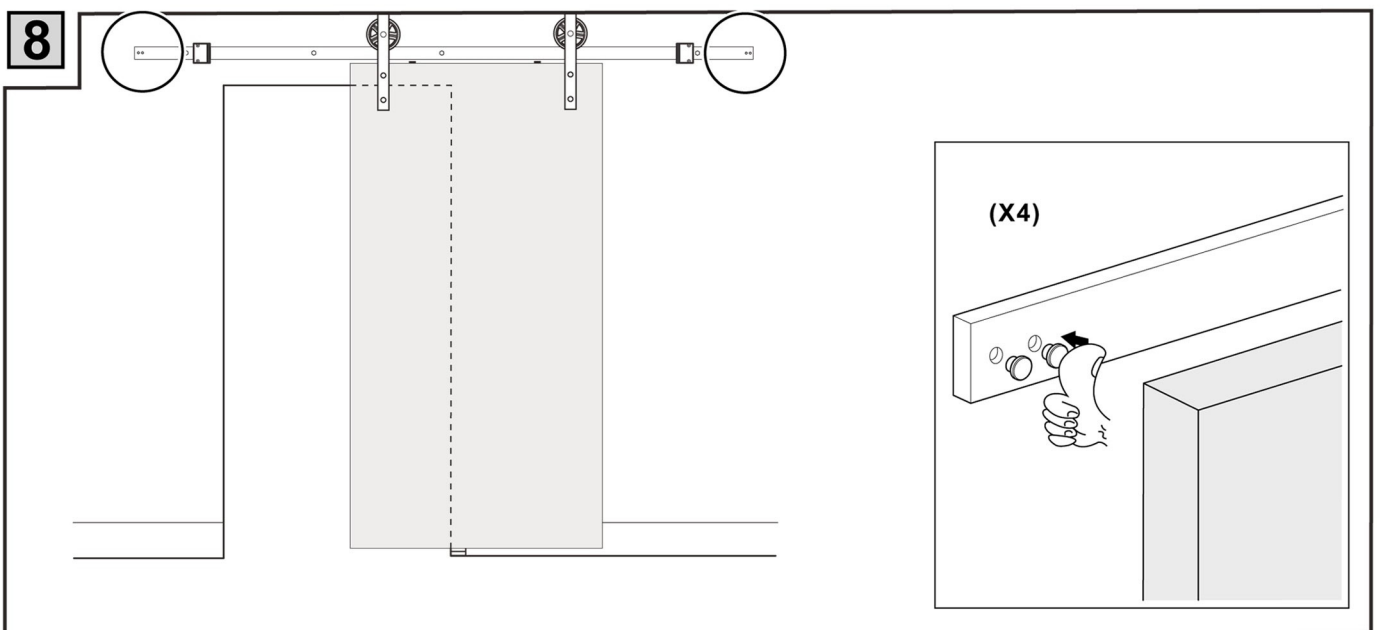
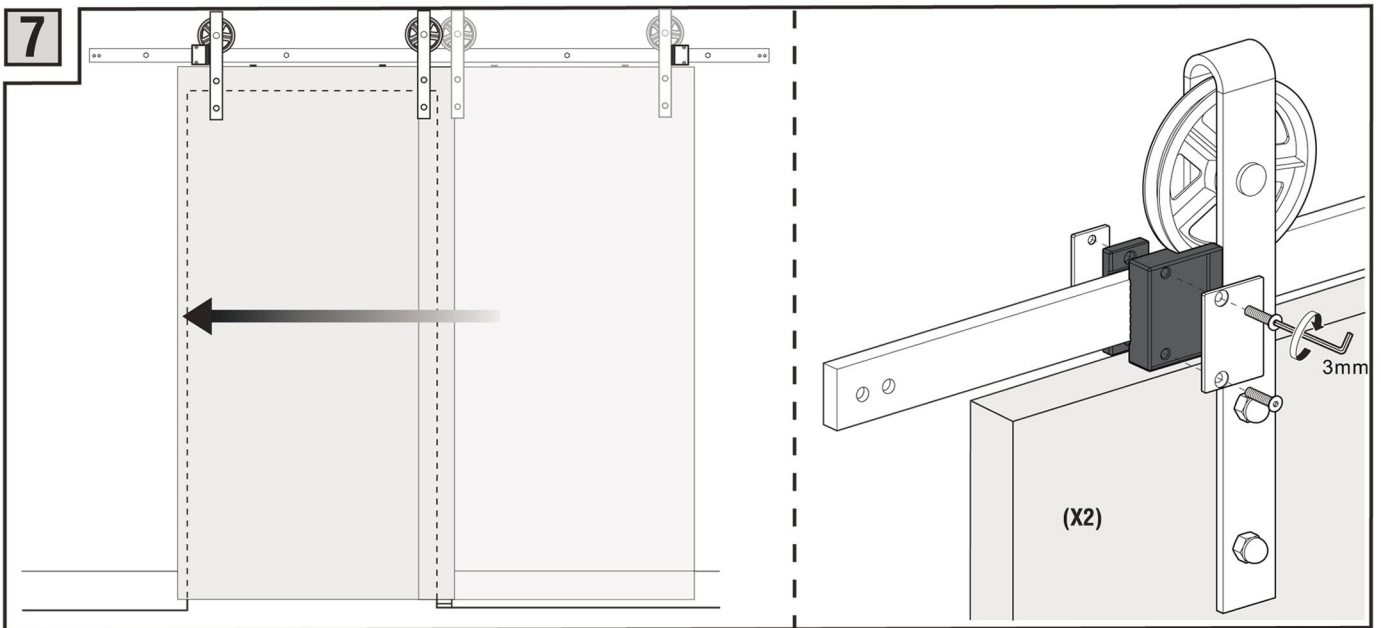
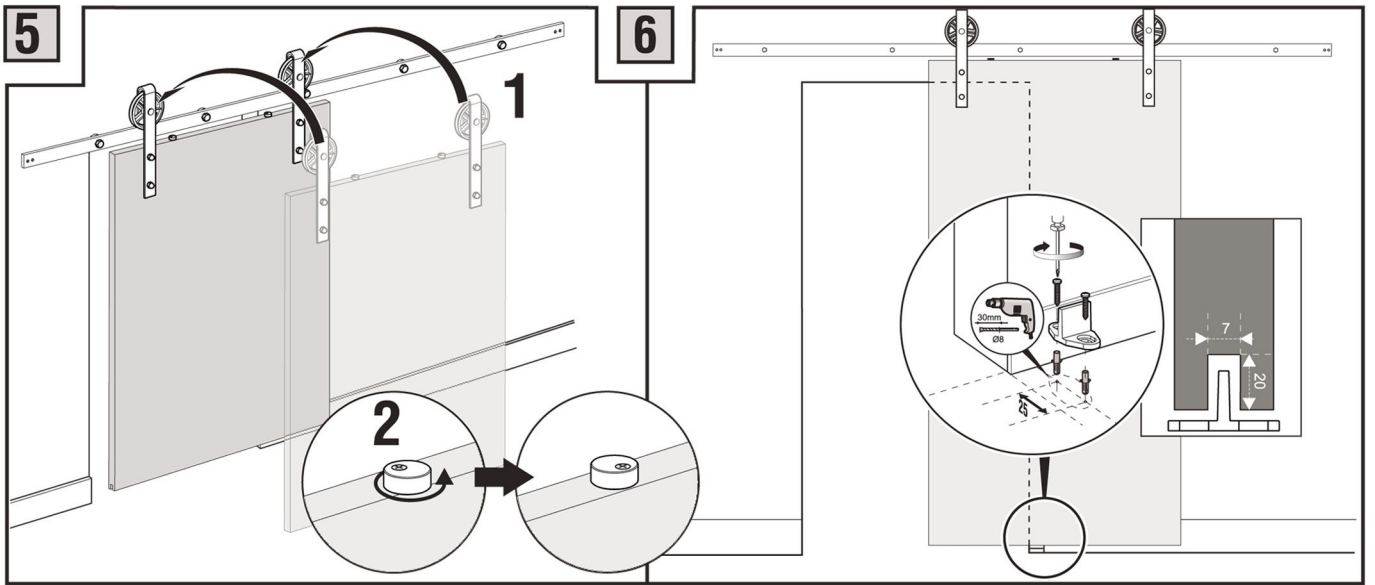


INDO BARNDOOR INSTALLATION MANUAL



Installation hints: Especially during the heating phase of the year, a humidity of 50 to 60% should be observed. Lower humidity leads to drying of the wood and this can cause deformation.

There should be comparable climatic conditions on both sides of the door. Strong climatic deviations can have a negative effect on the solid, natural wood product.



Installation hints: Indo-Barndoor doors should be used only in interiors with stable temperature conditions. The ideal temperature is a comfortable living climate at 19 to 21 degrees Celsius.

If these climate requirements for the Indo-Barndoor are met, deformation can be practically ruled out.